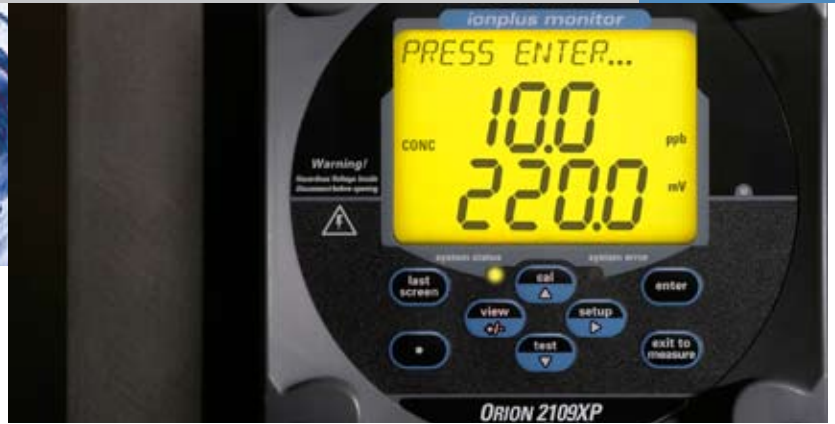


Thermo Fisher Scientific is committed to improving water quality to ensure safe drinking water for our communities today as well as those emerging in our developing world.

Thermo Scientific Orion 2109XP Fluoride Monitor



Superior performance and ease of operation

For many of us, water is simple to access at the turn of a faucet. We think little about the silent process that consistently delivers it without delay.

As the pioneer of fluoride electrode technology, the NEW Thermo Scientific Orion 2109XP fluoride monitor is based on the Standard Test Method for Fluoride Ion in Water (ASTM D 1179-04). The Orion 2109XP provides the highest quality fluoride measurements for drinking water required by the Safe Drinking Water Act (1974) to accurately control between 1.4 to 2.4 ppm.

The Orion 2109XP fluoride monitor offers accuracy, reliability and ease-of-use to best meet the demands for fluoride analysis with complete assurance. The Orion 2109XP maximizes uptime and keeps your plant in perfect operation by offering unmatched versatility and performance.

Advantages:

- Recognized EPA method for fluoride analysis using an ion selective electrode (ISE)
- Eliminates problems with turbidity and suspended solids in samples, provides true accuracy in measuring total fluoride
- Holds calibration for long cycles between reagent changes
- Correlates to online IC for QA/QC validation
- Long life sensor technology offers stability and high performance



Markets

- Bottled Water
- Municipal Water
- Food and Beverage
- Semi-conductor

Applications:

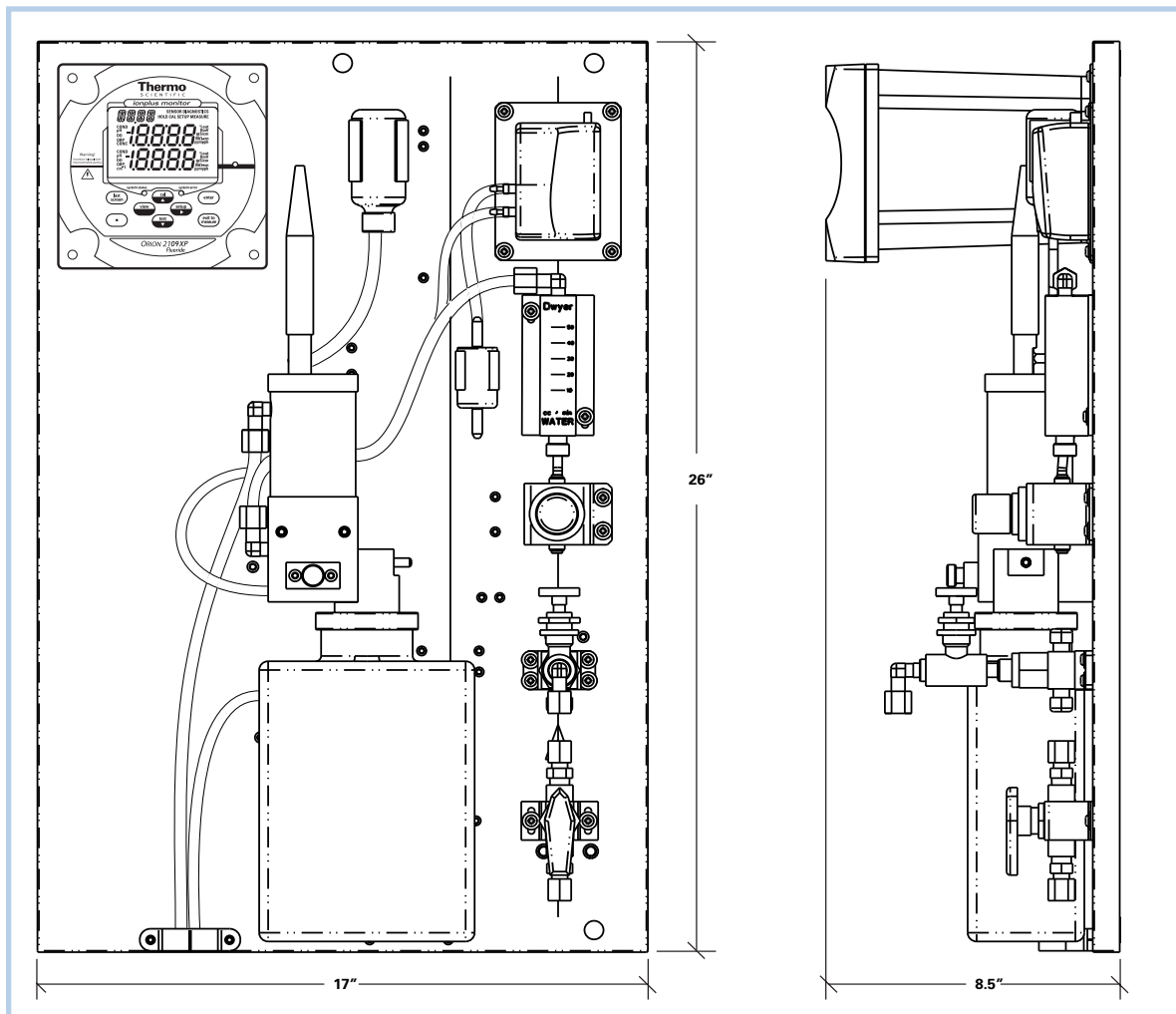
- Fluorination Control
- Fluoride Level Monitoring

Benefits

- Detection limit of 10 ppb - the Orion 2109XP offers continuous fluoride monitoring in a wide variety of samples
- Protect against overfluoridation of samples with sensitive, selective, reliable and verifiable measurements that provide early detection of fluoride
- Extremely easy to use while maximizing uptime- simple step-by-step scrolling instruction for set-up, calibration, operation and diagnostics menus
- Measurements at a glance from any distance for even the lowest light conditions using the large operator friendly visible backlit display
- Fastest most stable measurements, limiting unnecessary calibration cycles due to drift with superior Orion fluoride electrode technology
- Minimize operator time and maintenance without use of complicated moving parts or pumps that often require frequent attention and expensive spare part expenditures
- Advanced user interface with detailed calibration, measurement and diagnostic logs for early diagnostic and action level notification, configurable to your facility's desired level of performance, and all password protected if preferred
- Simple and fast calibration cycles using double known addition - quickly have your system back on line with security and confidence
- Easy installation has your plant up and running in minutes - the Orion 2109XP is retrofittable to the Orion 1809AO panel mounting footprint
- Expandable platform with grab sampler, automation and automatic validation modules
- Reagent adjusts pH for proper sample conditioning to ensure accurate and reliable measurements consistently.

Dimensions

Thermo Scientific Orion 2109XP installation dimensions shown without optional protective enclosure.





Thermo Scientific Orion 2109XP Fluoride Monitor

Specific Ion Measurements	Range: 10 ppb - 200 ppm
	Resolution: 1, 2, 3 digits
	Accuracy (with DKA cal): ± 10% or 10 ppb, whichever is greater
	Reagent: Formic Acid
Response Time	Reach 95% of final reading within 2 minutes of injecting a standard solution
Units Displayed	ppb, ppm (auto ranging)
mV Measurement	Range: ± 1999.9 mV
	Resolution: 0.1 mV
	Relative accuracy: ± (0.5 mV + 0.1%)
Temperature Measurement	Range: - 10 to 120 °C
	Resolution: 0.1 °C
	Relative accuracy: ± 0.5 °C
	Continuous temperature readings: YES
	ATC probe connection detection: YES
Specific Ion Calibrations	DKA calibration: YES
	DKA calibration points: 3 points
	Offline calibration: YES
	Offline calibration points: 1 point
	Pre-programmed standard values: YES
	Custom programmed standard values: YES
Sample Conditions	Temperature: 5 to 35 °C
	Total alkalinity: less than 200 ppm CaCO ₃
	Inlet pressure: 8 to 100 psig
	Flow rate: 40 mL/min nominal set by pressure regulator
	Sample inlet: 1/4" NPTF tube fitting
	Sample drain: 3/4" NPT male
	Grab sampler supported: YES
Display	Custom backlit LCD with temperature, concentration, mV, error codes, menu driven prompts
Inputs	ATC: 2 x NTC 30K
	Specific ion input & reference: Potentiometric

Outputs	Analog output: Galvanically isolated
	Number of analog outputs: 2, one dedicated to fluoride, one to temperature; shared ground
	Output selections: 0 - 20 mA or 4 - 20 mA
	Programmable range: YES
	Log & linear output options: YES, user selectable
	Alarm outputs: 3
	Number of relay outputs: 3
	Maximum relay load: 250 VAC, 5 A, 30 VDC
	Minimum value alarm: YES
	Maximum value alarm: YES
	Error alarm: YES
	Calibration/offline alarm: YES
	Programmable min & max values: YES
Physical Size	Electronics: 144 x 144 x 187 mm
	Entire system: 65 x 45 x 27 cm (26" x 17" x 11") Fits on 1809AO panel mounting footprint.
Power	Input: 85-132 or 170-264 VAC
Software Features	Self-test & diagnostics: YES
	Real time clock: YES
	Meter serial number: YES
	Password protection: YES
	Programmable alarms: High, low, error, calibration/offline
	Reset function: YES
	Startup reset: YES
	Hardware calibration function: YES
Non-volatile memory: YES	
	Battery backup: YES
	Expansion bus: Serial communication & power
	Waterproof enclosure: IP66 & NEMA 4X
Regulatory and Safety	CE, CSA, UL, FCC Class A limits
Environmental Operating Conditions	Ambient operating temperature: 5 to 45 °C
	Relative humidity: 5 to 95% non-condensing
	Storage temperature: - 20 to 60 °C
	Storage humidity: 5 % to 95 %, non-condensing
Case Material	Valox 364
Shock and Vibration	Vibration, shipping/handling: 0 - 60 Hz @ 1 G Load
	Shock, drop test in packaging: 36" on all sides and corners

Thermo Scientific Orion 2109XP Fluoride Monitor

- **Global support-** with experience that comes from supporting our fluoride customers for over 35 years throughout the world, our water quality specialists and customer support teams offer a quick, thorough and professional response to any problem encountered.

- **Focus on user benefits-** we work closely with you to define your needs, and ensure you are using the monitor in a way that improves your bottom line.

For more information, contact your local water quality specialists, call 1-800-225-1480 or visit www.thermo.com/water.

Cat. No.	Fluoride Monitor Packages
2109XPEN	Fluoride Monitor with Protective Enclosure Package — Includes fluoride monitor with protective enclosure, fluoride sensing electrode (100029), reference electrode (100056), ATC (2100TP), standards solution kit (180940), CD user guide and options kit.
2109XP	Fluoride Monitor Instrument Only Package — Includes fluoride monitor with fluoride sensing electrode (100029), reference electrode (100056), ATC (2100TP), standards solution kit (180940), CD user guide and options kit.
Cat. No.	Reagent Kits and Accessories
210960XP	Fluoride Consumables Kit — for one year operation, includes (6) x 1 L bottles formic acid reagent and (6) x 2 ft long diffusion tubing with O-rings (182011), fluoride standard solution kit (180940), fluoride sensing electrode (100029), fluoride reference electrode (100056), (1) x 2 oz bottle reference electrode filling solution (181073), O-ring kit (2100OK), check valve (2100VC), pipette tips (204846-001), restriction tube assembly (2100RT) and inlet filter with gaskets (181170)
210960XP*	Reagent-less Fluoride Consumables Kit — for one year operation, includes (6) x 1 L empty bottles for use with formic acid reagent (182011), (6) x 2 ft long diffusion tubing with O-rings (181060), fluoride standard solution kit (180940), fluoride sensing electrode (100029), fluoride reference electrode (100056), (1) x 2 oz bottles reference electrode filling solution (181073), O-ring kit (2100OK), check valve (2100VC), pipette tips (204846-001), restriction tube assembly (2100RT) and inlet filter with gaskets (181170)
182011	Formic Acid Reagent — 60 day supply- includes (1) x 1 L bottle formic acid reagent and (1) x 2 ft long diffusion tubing with O-rings (181060)
182011F*	Reagent-less Formic Acid Reagent Bottle — includes (1) x 1 L empty bottle for use with formic acid reagent (182011) and (1) x 2 ft long diffusion tubing with O-rings (181060)
182011F6*	Reagent-less Formic Acid Reagent Bottle — includes (6) x 1 L empty bottles for use with formic acid reagent (182011) and (6) x 2 ft long diffusion tubing with O-rings (181060)
181060	(1) x 2 ft long diffusion tubing and O-rings
181160	(3) x 5'8" long thin-walled diffusion tubing and O-rings for high alkalinity samples, 6 month supply
Cat. No.	Fluoride Electrodes and Accessories
2109XPEK	Fluoride Electrode Kit — includes fluoride sensing electrode (100029), fluoride reference electrode (100056), and reference electrode filling solution (181073)
100029	Fluoride Sensing Electrode — for use with 2109XP
100056	Fluoride Reference Electrode — for use with 2109XP, includes reference electrode filling solution (181073)
181073	Reference electrode filling solution — (5) x 2 oz bottles for use with reference electrode (100056)
2100TP	2100 Series Automatic Temperature Probe — with ground (30 kΩ), for use with 2109XP

Cat. No.	Fluoride Electrodes and Accessories (cont'd)
2001XT	2100 Series Automatic Temperature Probe — with 10 meter extension cable and ground (30 kΩ), for use with 2109XP
21003M	Extension Cables — (2) x 3 meter cables, for 100029 and 100056 electrodes
2109XPCAL	Calibration Kit — includes carrying case, 0.5 mL pipette (204847-001), box of pipette tips (204846-001), wash bottle, (1) x 2 oz bottle fluoride standard 1 (100 ppm), (1) x 2 oz bottle fluoride standard 2 (1000 ppm) and (1) inlet filter
180940	Fluoride Standard Solution Kit — includes (2) x 2 oz bottles of fluoride standard 1 (100 ppm) and (2) x 2 oz bottles of fluoride standard 2 (1000 ppm)
940907	(1) x 1 pint bottle 100 ppm fluoride standard solution
110902	(1) x 1 pint bottle 1000 ppm fluoride standard solution
Cat. No.	Field Replaceable Units
2100EN	2100 series enclosure
2100FP	Fluidics panel assembly only
2100BP	Steel back panel assembly
2100NV	Inlet valve assembly
2100BV	Bypass/needle valve assembly
2100RG	Regulator assembly
2100DA	Drain and clamp assembly
2100FM	Flow meter assembly
2100RT	Restrictor tube assembly
2100FC	Flow cell assembly
2100PA	Air pump assembly
2100AF	Air filter assembly
2100DV	Diverter valve assembly
2100VC	Check valve
2109RBA	2109XP reagent bottle adapter
2100OK	O-ring kit
2100EC	(2) x 1 meter electrode cables
2100FK115	Fuse kit assembly 115 V
2100FK230	Fuse kit assembly 230 V
2100PS	Power supply assembly
2109XPEP	2109XP electronics faceplate
2109-SVCKIT	Service kit — includes (1) electronics faceplate (2109XPEP), (1) air pump assembly (2100PA), (1) regulator assembly (2100RG), (2) electrode cable with gland assemblies for sensing and reference electrodes, (1) power supply assembly (2100PS) and (1) fuse kit assembly (2100FK115 and 2100FK230)

** For International use only*