

Technical Bulletin

15th March 2010

New Quant FT-NIR System Sampling Accessory

Butter / Spread Analysis Accessory

Q-Interline A/S is introducing a new sampling accessory for butter, spreads and similar products. The interchangeable modular accessory fits into the Quant sample area as standard and collars screw into the Quant ports.

A reusable dish with sloping sides is filled with butter and the top surface made flat using a pallet knife or similar tool. The dish is placed in the holder and slid under the accessory. The dish is rotated during analysis so a larger volume of sample is analysed. Analysis occurs on the top surface of the sample.

This method eliminates using any breakable sample holder and does not require thorough sample holder cleaning between measurements as the fresh butter surface is analysed.

The technical drawings shown in Figure 1 illustrates the design.

This accessory will be available from May 2010.

Dr. Mark L. Whatton
Business & Technology Manager
QuadraChem Laboratories Ltd
Exclusive UK Distributor for Q-Interline A/S

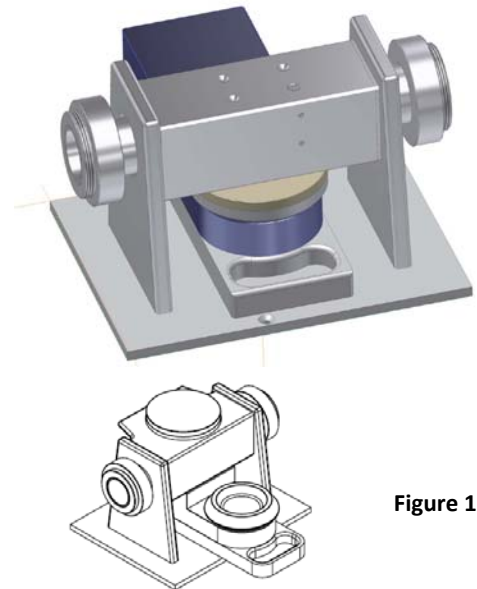


Figure 1

